

Declaration for MAFI Clamps

To Whom It May Concern

Thanks for choosing DMEGC.

As for the installation requirements between the DMEGC modules and MAFI clamps, DMEGC confirms that:

DMEGC standard modules: **DMxxxM10RT-B54HBW/HSW/HBB/HBT/HST and DMxxxM10RT-B60HBW/HSW/HBB/HBT/HST** are compatible with MAFI clamps revB.

This letter is provided as a supplement to the installation manual provided with the modules at the time of sale. DMEGC confirms that the modules (mentioned above) to be use with MAFI Clamps rev B, as schematically shown in Figure 1 with installation method as shown in Figure 2, do not violate the product warranty of DMEGC's modules (mentioned above), if the following maximum(test) loads are not exceeded:

--Maximum test load (RevB clamps with torque 6Nm):

front test load +5400Pa and backside -2400 Pa

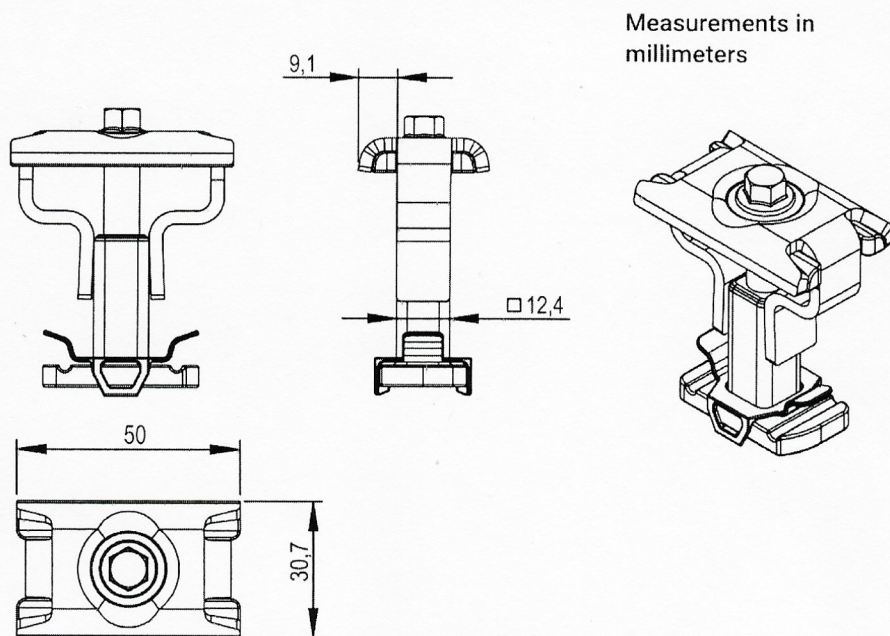


Figure 1: MAFI Clamps Rev B

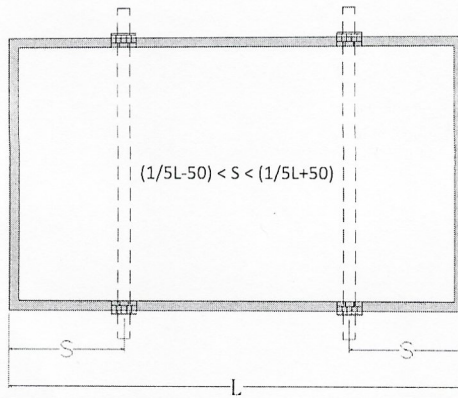


Figure 2: Mounting by four clamps, mounting rails cross the long frame

DMEGC Solar
Product Management Department
March 12, 2025

